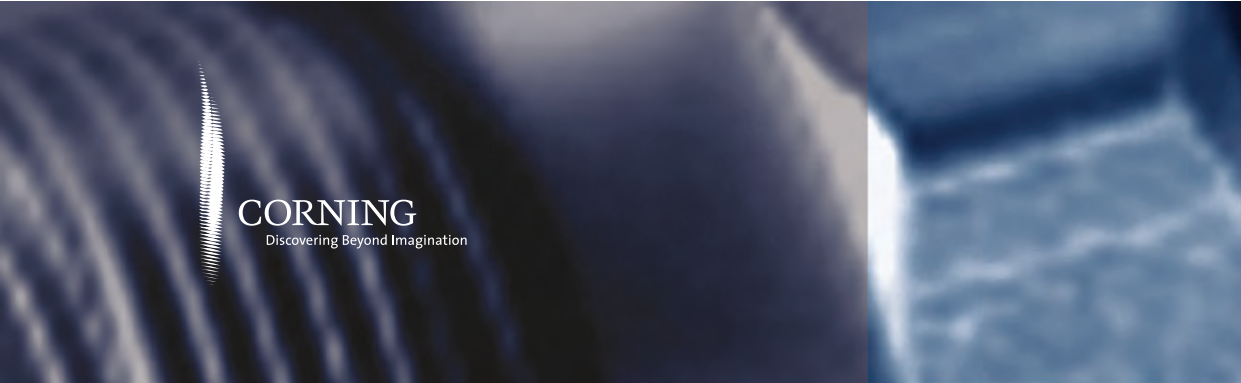


# Splice Block

Product Information

(G-SPB-2.00, G-SPB-2.75, G-SPB-2.75-GLU)



Broadband  
Products

## Connector Specifications

### Return Loss:

>30 db @ 1 GHz

### AC Power Rating:

15 amps continuous seizing mechanism ball ended seizure screws.

### Listings

The G-SPB-2.75 is available with UL Listing (G-SPB-2.75-GLU).

The Gilbert Splice Block has been designed with superior electrical performance.

The one-piece body is machined from a 6000 series aluminum alloy to minimize moisture ingress paths. This product is designed to give high RF performance in pedestal or straight through configurations. A custom manufactured ball ended seizure screw is utilized to eliminate plating damage on the mating pin connector.

These features add to the long term performance and reliability of the Gilbert Splice Block. This product is shipped with 2 seizure screws installed.

The G-SPB-2.75 is also available with UL listing (G-SPB-2.75-GLU).



**Materials and Construction of Connector Components:**

6000 series aluminum alloy with gold chromate conversion coating for excellent corrosion resistance.

Contacts are brass with bright acid tin plating providing excellent RF conductivity.

**Product Features and Benefits**

- Highly reliable screw style seizure mechanism
- Custom ball ended seizure screw to eliminate plating damage on mating pin connector
- One piece bright acid tin plated brass contact
- Return loss: >30 dB @ 1 GHz
- G-SPB-2.75 is available with UL listing (G-SPB-2.75-GLU).
- One-piece body manufactured from 6000 series aluminum alloy with chromate conversion coating
- AC power rating: 15 amps continuous, (G-SPB-2.00 is capable of 25 amps continuous when mated with Gilbert Power Connectors)
- Accepts .067 [1.7 mm] to .075 [1.9 mm] connector pin diameter (G-SPB-2.00 accepts .067 [1.7 mm] to .122 [3.1mm] diameter)

**Product Applications**

Pedestal Application:



- Trim gauge permanently marked on body, utilizes standard 0.5 pin connector trim

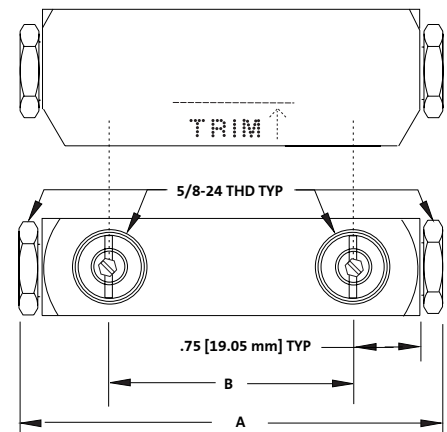
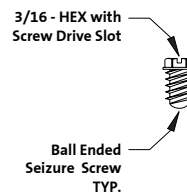
**Note:**

G-SPB-2.75 must be used in pedestal applications involving 1125 and 1160 connectors.

**Ordering Information**

Part Number	UL Listed	A	B
G-SPB-2.00	No	3.85	2.00
G-SPB-2.75	No	4.60	2.75
G-SPB-2.75-GLU*	Yes	4.60	2.75

\* UL listing is available on the G-SPB-2.75-GLU only.



**Corning Gilbert Inc.**  
Broadband Products

5310 W. Camelback Rd.  
Glendale, AZ 85301 U.S.A.

phone: 800 528 5567 (U.S. and Canada)  
(01) 623 245 1050 (International)

fax: 800 344 6358  
(01) 623 931 0684

website: [www.corning.com/corninggilbert](http://www.corning.com/corninggilbert)  
e-mail: [info-gilbert@corning.com](mailto:info-gilbert@corning.com)